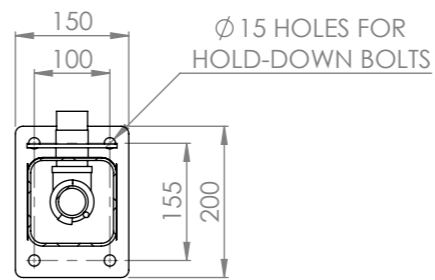
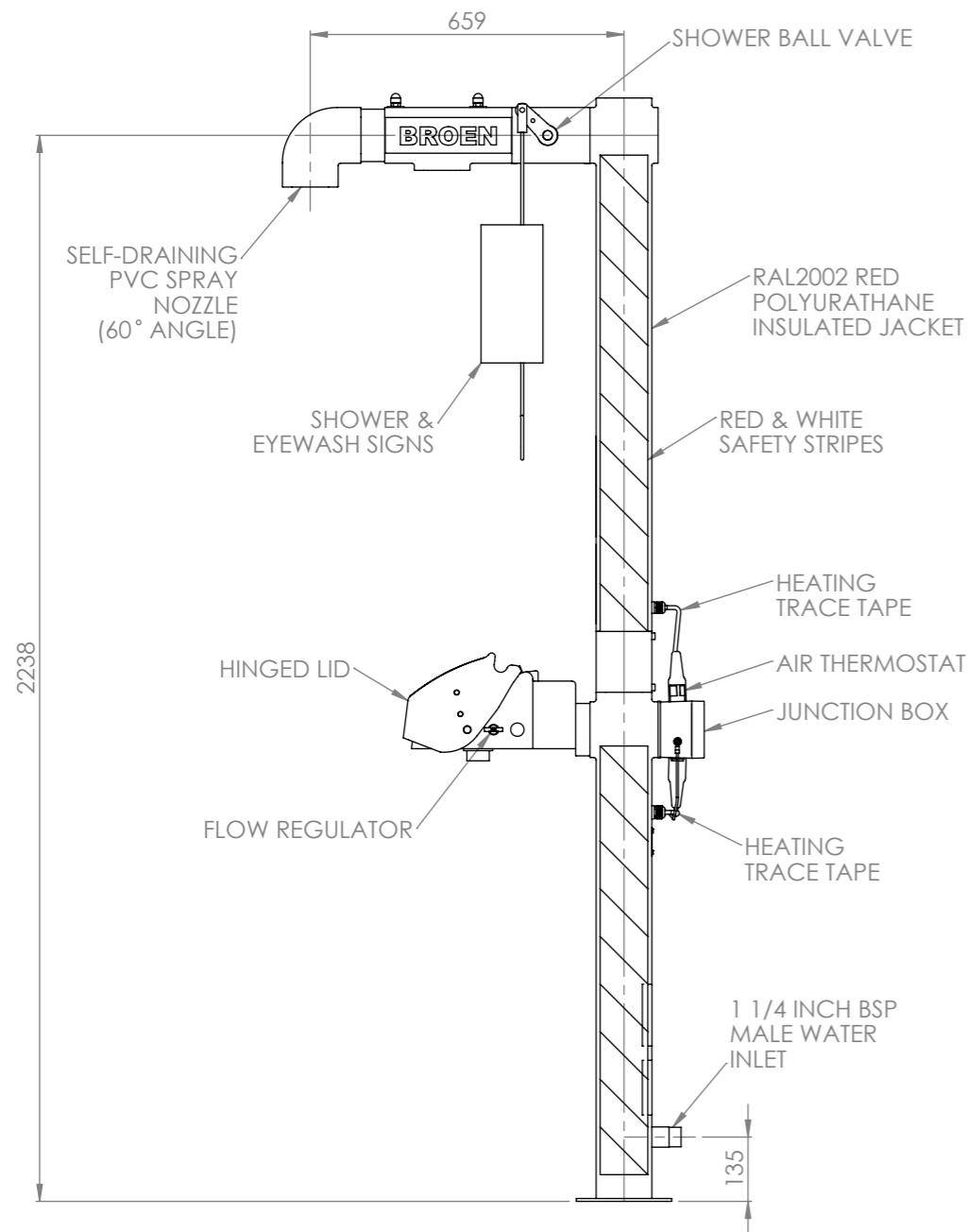
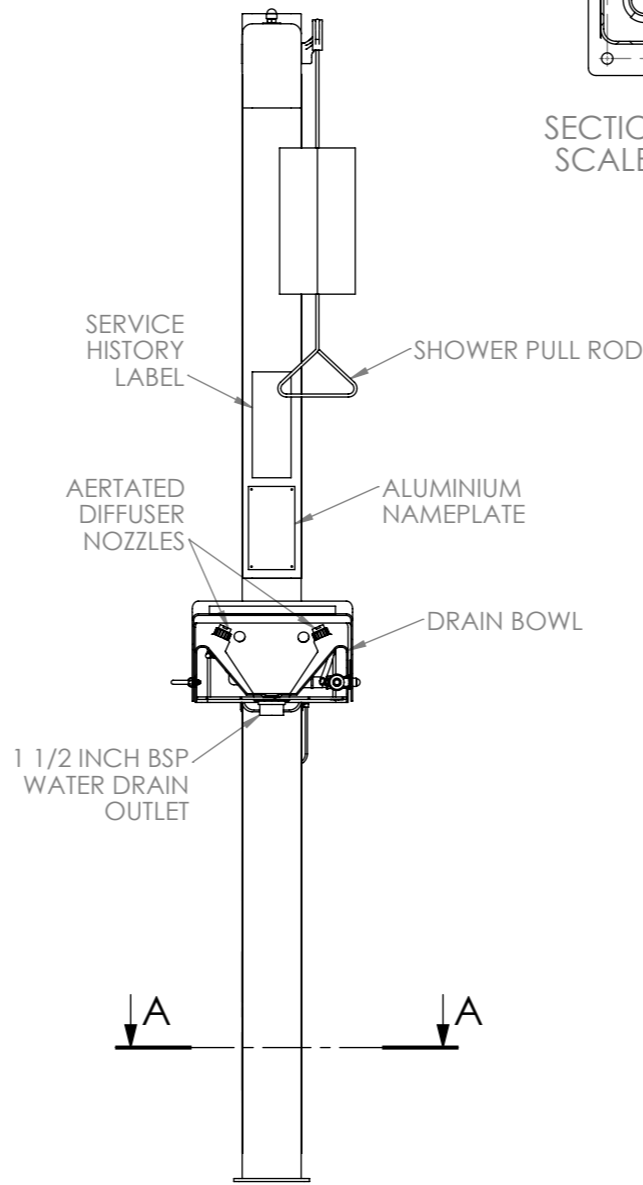
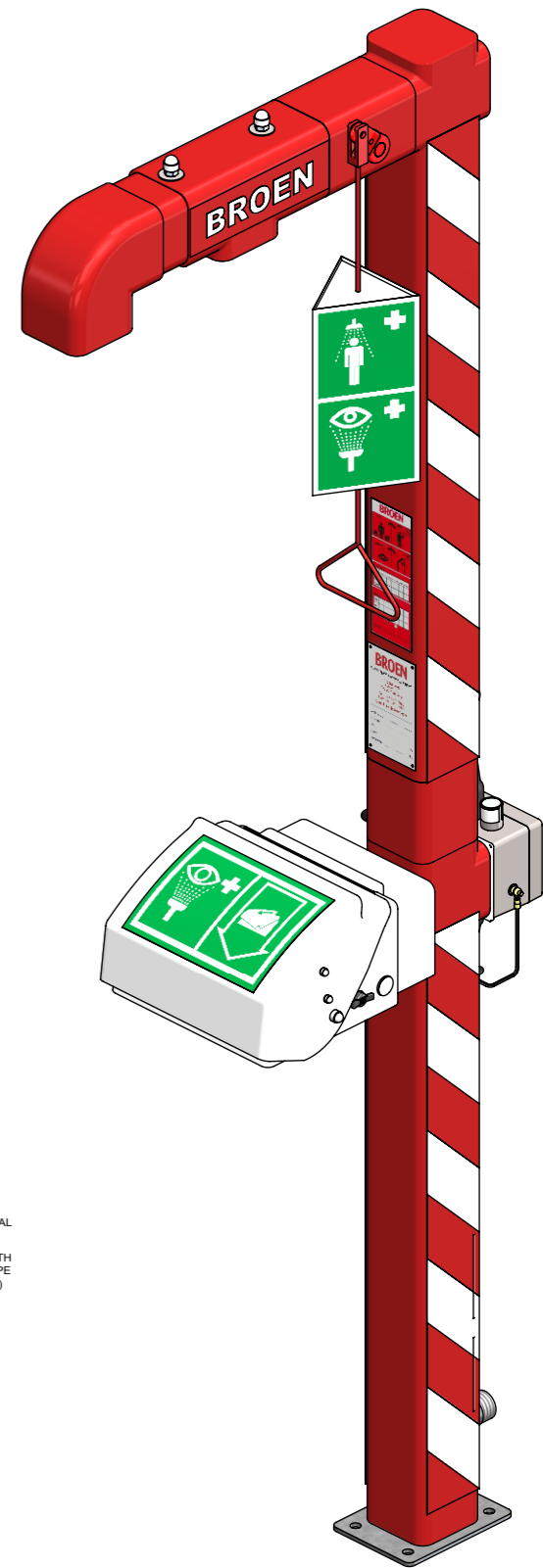


SIDE VIEW



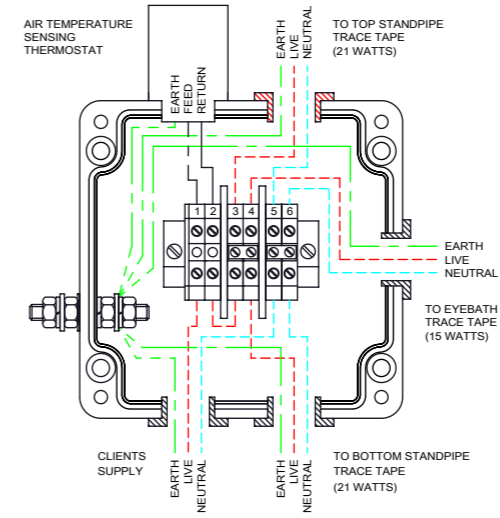
SECTION A-A
SCALE 1 : 10

ISOMETRIC VIEW



EYEWASH BOWL
CUT AWAY
FOR CLARITY

WIRING DIAGRAM



FROST PROTECTED EMERGENCY SAFETY SHOWER.
MODULES ARE REMOVABLE WITH STANDPIPE IN SITU.
MINIMUM WORKING TEMPERATURE: -20°C

BROEN

INTELLIGENT FLOW SOLUTIONS
BROEN A/S
Skovvej 30, DK-5610 Assens,
T: +45 6471 2095 F: +45 6471 2476
E: broen@broen.com W: www.broen.com

NAME	DATE	DEBUR AND BREAK SHARP EDGES
DRAWN: S.W.	01/10/12	DIMENSIONS ARE IN MILLIMETRES UNLESS SPECIFIED OTHERWISE
CHECKED: A.L.	03/10/12	TOLERANCES: LINEAR: ANGULAR:
APPROVED: A.L.	03/10/12	
MATERIAL: GALVANISED MILD STEEL		SCALE:1:20
		DO NOT SCALE OFF DRAWING

TITLE:
OUTDOOR EMERGENCY SAFETY SHOWER WITH EYE/FACEWASH FOUNTAIN.
SUITABLE FOR FLAMEPROOF AREAS. SUPPLY VOLTAGE 230V, 50 OR 60 HZ.

FINISH: CLEAN	DWG NO. H7410021000321
SHEET 1 OF 1	

REVISION A
A3